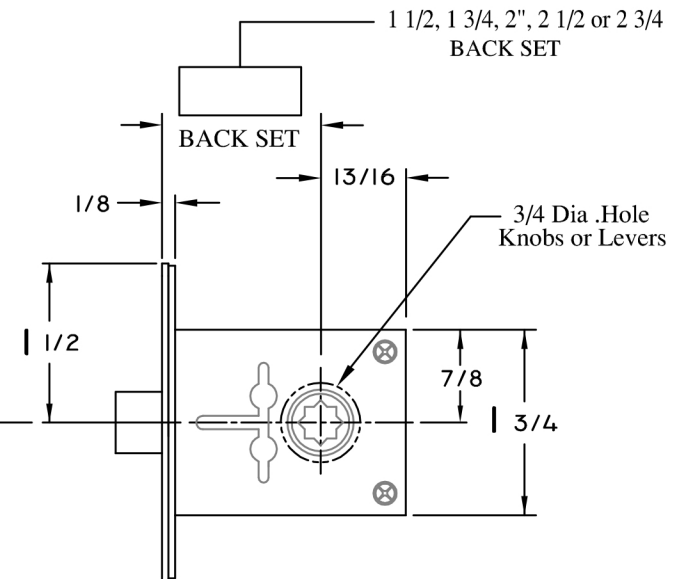
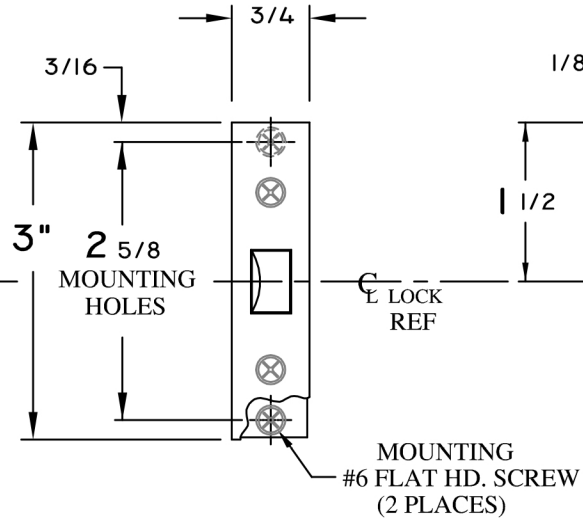
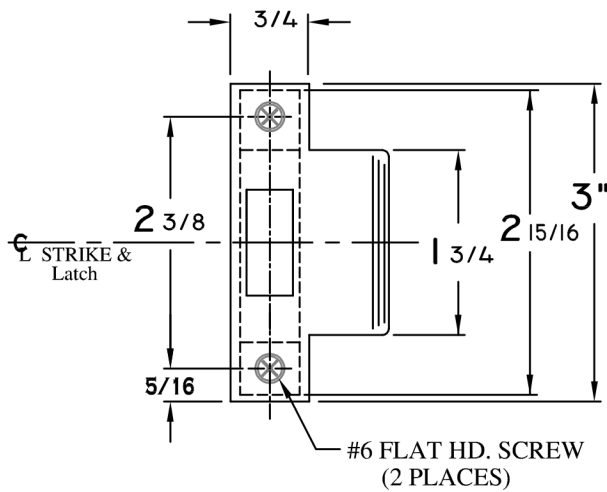
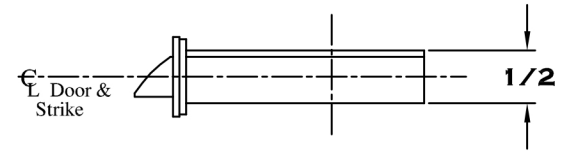
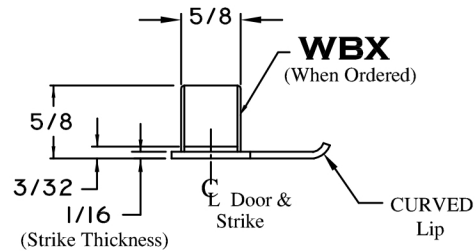


Latch Bolt Only

Note: All Dimensions Reflect Suggested Mortise Prep Dimensions. (Actual Lock Dimensions Are Slightly Smaller).



Universal Strike



Responsibility
Door And Frame Manufacturers Are Responsible For Providing Adequate Construction Or Re-Inforcement For Proper Installation Of Hardware Shown.